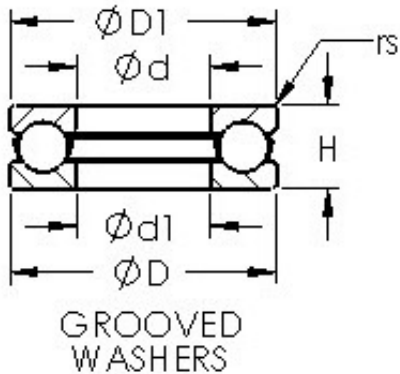




BEARING FORGE OF AMERICA CORP.



AST 51152M thrust ball bearings

Bearing No. 51152M

Bore Diameter	260 mm
Outer Diameter	320 mm
Bearing Type	with grooved raceway(s)
Bore Dia (d)	260.0000
Outer Dia (D)	320.0000
Radius (min) (rs)	1.500
Static Load Rating (Cor)	1,110,000
Dynamic Load Rating (Cr)	254,000
Max Speed (Grease) (X000 RPM)	1
Max Speed (Oil) (X000 RPM)	1
Height (H)	45.0000
Outer Dia. Pilot (D1)	317.0000
Bore Dia. Clearance (d1)	263.0000
Weight (g)	7,980.00
Material	52100 chrome steel, or equivalent.

51152M Bearing 2D drawings and 3D CAD models