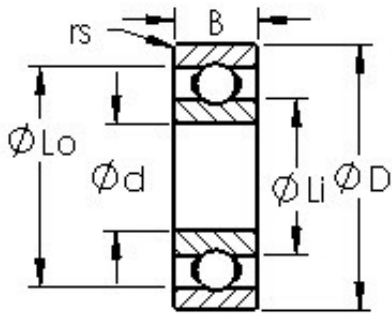




BEARING FORGE OF AMERICA CORP.



AST 684H deep groove ball bearings

Bearing No. 684H

| | |
|--|-----------------------------|
| Size | 4x9x2.5 mm |
| Bore Diameter | 4 mm |
| Outer Diameter | 9 mm |
| Width | 2,5 mm |
| Bearing Type | Open |
| Bore Dia (d) | 4.0000 |
| Outer Dia (D) | 9.0000 |
| Width (B) | 2.5000 |
| Radius (min) (rs) | 0.100 |
| Dynamic Load Rating (Cr) | 545 |
| Static Load Rating (Cor) | 182 |
| Max Speed (Grease) (X1000 RPM) | 53 |
| Max Speed (Oil) (X1000 RPM) | 63 |
| Max. Shaft Shoulder Dia. Inner (Li) | 5.2 |
| Min. Housing Shoulder Dia., Outer (Lo) | 7.5 |
| Ball Qty | 7 |
| Ball Dia (Dw) | 1.5880 |
| Weight (g) | 0.65 |
| Precision | A1 |
| Standard Clearance | K25 |
| Material | Martensitic Stainless Steel |

684H Bearing 2D drawings and 3D CAD models