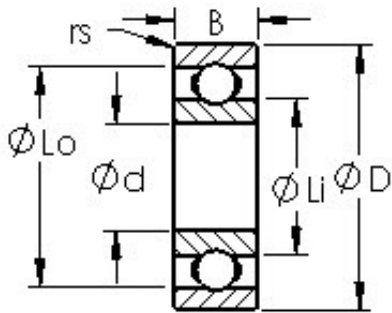




BEARING FORGE OF AMERICA CORP.



AST 6214 deep groove ball bearings

Bearing No. 6214

Size	70x125x24 mm
Bore Diameter	70 mm
Outer Diameter	125 mm
Width	24 mm
Bearing Type	Open
Bore Dia (d)	70.0000
Outer Dia (D)	125.0000
Width (B)	24.0000
Radius (min) (rs)	1.500
Dynamic Load Rating (Cr)	62,200
Static Load Rating (Cor)	44,100
Max Speed (Grease) (X1000 RPM)	5
Max Speed (Oil) (X1000 RPM)	6
Max. Shaft Shoulder Dia. Inner (Li)	84.0
Min. Housing Shoulder Dia., Outer (Lo)	117.0
Ball Qty	10
Ball Dia (Dw)	17.4630
Weight (g)	1,070.00
Precision	A1
Standard Clearance	C0
Material	52100 Chrome steel (or equivalent)

6214 Bearing 2D drawings and 3D CAD models