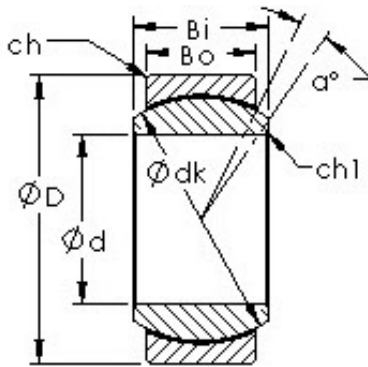




BEARING FORGE OF AMERICA CORP.



AST GEFZ14T plain bearings

Bearing No. GEFZ14T

Bore Diameter	14,2875 mm
Outer Diameter	27,77998 mm
Bearing Type	plain
Bore Dia (d)	0.5625
Outer Dia (D)	1.0937
Outer Width (Bo)	0.4370
Inner Width (Bi)	0.5620
Dynamic Load Rating (Cr)	7,418
Static Load Rating (Cor)	11,015
Max. shaft corner radius, or 45 deg. chamfer (ch1)	0.012
Max. housing corner radius, or 45 deg. chamfer (ch)	0.032
Spherical Diameter (dk or Dk)	0.906
Mis-alignment Angle (a deg.)	9.5
Weight (g)	42.00
Material	Outer ring made from carbon steel, inner ring is made from 52100 Chrome steel, or equivalent

GEFZ14T Bearing 2D drawings and 3D CAD models