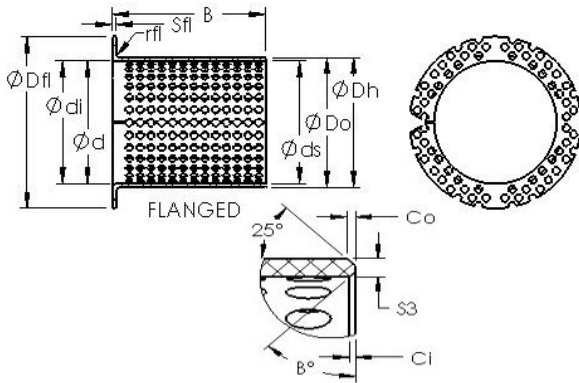




# BEARING FORGE OF AMERICA CORP.



## AST ASTT90 F10070 plain bearings

Bearing No. ASTT90 F10070

|  |  |
|--|--|
| Bore Diameter                                      | 100 mm                                 |
| Outer Diameter                                     | 105 mm                                 |
| Bearing Type                                       | flanged                                |
| Shaft Dia., Nominal (d)                            | 100.0000                               |
| Shaft Size (ds) - 100 -0.120 / -0.155              | 100 0.120 / 0.155                      |
| Housing Bore Dia. (Dh) - 105 +0.035 / -0           | 105 +0.035 / 0                         |
| Bearing Outside Diameter, Nominal(Do)              | 105.000                                |
| Bearing Bore after Mounting (di) - 100 +0.087 / -0 | 100 +0.087 / 0                         |
| Wall Thickness (S3)                                | 2.500                                  |
| Bearing Length, Nominal (B)                        | 70.000                                 |
| Bearing Length Tolerance (B tol.) - +0 / -0.40     | +0 / 0.40                              |
| OD Chamfer Length (Co)                             | 1.800                                  |
| ID Chamfer Angle (B deg.)                          | 45                                     |
| ID Chamfer Length (Ci)                             | 0.600                                  |
| Flange Dia. (Dfl pm 0.5)                           | 120.000                                |
| Flange Thickness (Sfl)                             | 2.500                                  |
| Flange Radius (rfl)                                | 2.000                                  |
| Material   | Wrapped bronze with lubrication holes. |

ASTT90 F10070 Bearing 2D drawings and 3D CAD models