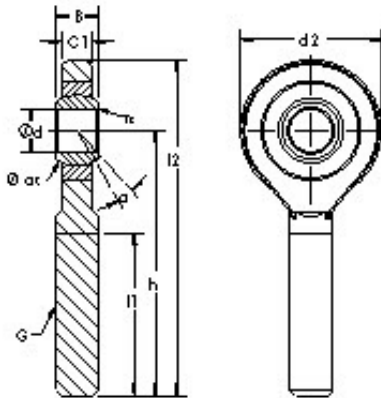




BEARING FORGE OF AMERICA CORP.



AST SAKJ12C plain bearings

Bearing No. SAKJ12C

Bore Diameter	12 mm
Width	16 mm
Bearing Type - steel-on-PTFE composite	steelonPTFE composite
Bore Dia (d)	12.0000
Width (B)	16.0000
Radius (min) (rs)	0.300
Dynamic Load Rating (Cr)	14,000
Static Load Rating (Cor)	19,000
Spherical Diameter (dk or Dk)	22.230
Mis-alignment Angle (a deg.)	12
Thread Length (l1)	32.000
Bore Center to End of Rod (h)	54.000
Rod Overall Length (l2)	71.000
Rod End Thickness (C1)	12.500
Thread Size (G)	M12
Rod End Width (d2)	34.000
Weight (g)	120.00
Material - Body - Carbon steel-zinc plated, Ball - Hardened chrome steel-chrome plated, Liner	PTFE composite material

SAJK12C Bearing 2D drawings and 3D CAD models