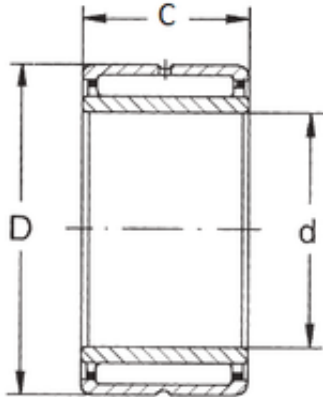




BEARING FORGE OF AMERICA CORP.



20 mm x 32 mm x 16 mm FBJ NKI 20/16 needle roller bearings

Bearing No. NKI 20/16

| | |
|-------------------------------|-------------|
| Size | 20x32x16 mm |
| Bore Diameter | 20 mm |
| Outer Diameter | 32 mm |
| Width | 16 mm |
| d | 20 mm |
| D | 32 mm |
| B | 16 mm |
| C | 16 mm |
| Weight | 0,049 Kg |
| Basic dynamic load rating (C) | 15,2 kN |
| Basic static load rating (C0) | 22,3 kN |
| (Grease) Lubrication Speed | 11000 r/min |

NKI 20/16 Bearing 2D drawings and 3D CAD models