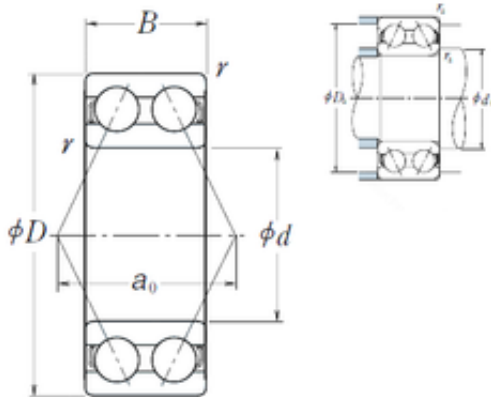




BEARING FORGE OF AMERICA CORP.

20 mm x 47 mm x 20,6 mm nsk 5204 bearing



Bearing No. 5204

Size	20x47x20.6 mm
Bore Diameter	20 mm
Outer Diameter	47 mm
Width	20,6 mm
d	20 mm
D	47 mm
B	20,6 mm
C	20,6 mm
a	24,3 mm
r min.	1 mm
da min.	26 mm
da max	41 mm
ra max.	1 mm
Weight	0,12 Kg
Basic dynamic load rating (C)	19,6 kN
Basic static load rating (C0)	12,4 kN
(Grease) Lubrication Speed	10 000 r/min
bore diameter:	20 mm
radial dynamic load capacity:	19600 N
outside diameter:	47 mm
maximum temperature:	120 ° C
overall width:	0.8111 in
cage material:	Steel Cage
contact angle:	25 °
maximum rpm:	13000 rpm

5204 Bearing 2D drawings and 3D CAD models



BEARING FORGE OF AMERICA CORP.

row type & fill slot:	Double-Row Non-Fill Slot
finish/coating:	Uncoated
internal clearance:	C0
precision rating:	ABEC1, P0
bore type:	Round
fillet radius:	1 mm
closure type:	Open
series:	5200
snap ring included:	Without Snap Ring
SRI	4.13
hidYobi	5204
LangID	1
D_	47
SREX	0.02
B_	20.6
hidTable	ecat_NSANGBD
Oil rpm	13000
SRE	4.13
mass	0.12
GRS rpm	10000
ra	1
SRIX	0.02
D_a	41
SRIN	0
C0	12.4
SREN	0
DE_	41.468
Prod_Type3	ACBB_DR_A
da	26
DA_	7.938
Z_	8
ALP	50



BEARING FORGE OF AMERICA CORP.

yobi	5204
ao	24.3
SDM_	33.5
r	1
KBRG	1121
DI_	25.532