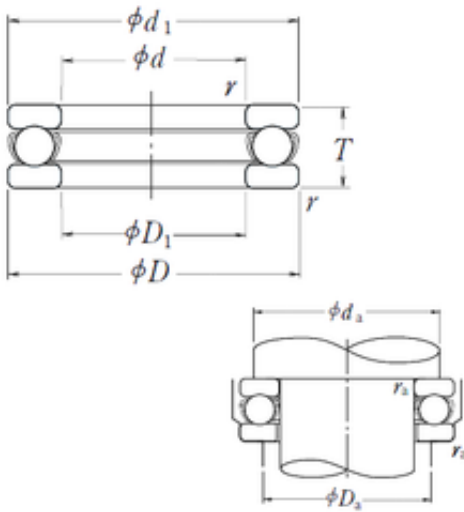




BEARING FORGE OF AMERICA CORP.



nsk 51105 bearing

Bearing No. 51105

Size	25x42x11 mm
Bore Diameter	25 mm
Outer Diameter	42 mm
Width	11 mm
d	25 mm
D	42 mm
T	11 mm
d1	42 mm
r min.	0,6 mm
D1	26 mm
da min.	35 mm
Da max.	32 mm
ra max.	0,6 mm
Weight	0,056 Kg
Basic dynamic load rating (C)	19,7 kN
Basic static load rating (C0)	37 kN
(Grease) Lubrication Speed	4800 r/min
Category	Thrust Ball Bearing
Inventory	0.0
Manufacturer Name	NSK
Minimum Buy Quantity	N/A
Weight / Kilogram	0.05
Product Group	B00308
Rolling Element	Ball Bearing
Thrust Bearing	Yes
Single or Double Direction	Single Direction

51105 Bearing 2D drawings and 3D CAD models



BEARING FORGE OF AMERICA CORP.

Banded	No
Cage Material	Steel
Precision Class	Non-Precision
Component Description	Roller Assembly Plus Raceways
Other Features	Single Row With Flat Seat
Long Description	25MM Bore 1; 26MM Bore 2; 42MM Outside Diameter; 11MM Height; Ball Bearing; Single Direction; Not Banded; Steel Cage; Non-Precision
Inch - Metric	Metric
Category	Thrust Ball Bearings
UNSPSC	31171552
Harmonized Tariff Code	8482.10.50.08
Noun	Bearing
Keyword String	Ball Thrust
Manufacturer URL	http://www.nskamericas.com
Manufacturer Item Number	51105
Weight / LBS	0.12346
Overall Height with Aligning Washer	0 Inch 0 Millimeter
Bore 2	1.024 Inch 26 Millimeter
Height	0.433 Inch 11 Millimeter
Outside Diameter	1.654 Inch 42 Millimeter
Bore 1	0.984 Inch 25 Millimeter
bore diameter:	25 mm
static load capacity:	3800 kg
outside diameter:	42 mm
dynamic load capacity:	2010 kg
overall width:	11 mm
operating temperature range:	Maximum of +120 ° C



BEARING FORGE OF AMERICA CORP.

thrust bearing type:	Single-Direction
maximum rpm:	7100 RPM
outside diameter design:	Straight
cage material:	Steel
separable or banded:	Separable
fillet radius:	0.6 mm
race type:	Flat
series:	511
precision rating:	ABEC 1 (ISO Class Normal)
SRI	3.4
hidYobi	51105
LangID	1
D_	42
SREX	0.04
C	19.7
B_	11
hidTable	ecat_NSSDTB
Oil rpm	7100
SRE	3.4
mass	0.056
GRS rpm	4800
ra	0.6
SRIX	0.04
D_a	32
SRIN	0
C0	37
SREN	0
D_1	26
Prod_Type3	TB_SD_WFS
da	35
DA_	6.35
Z_	15



BEARING FORGE OF AMERICA CORP.

yobi	51105
SDM_	33.5
r	0.6
T_	11
KBRG	5111