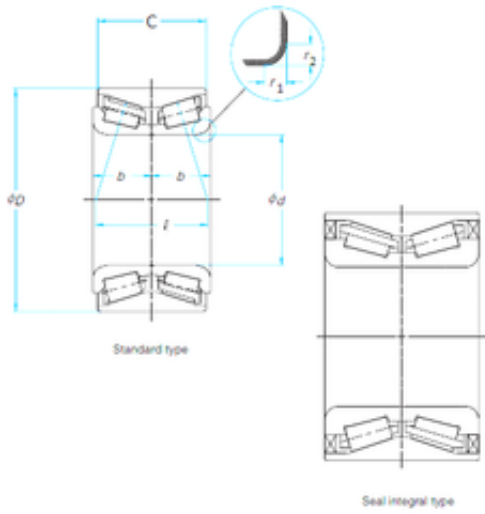




# BEARING FORGE OF AMERICA CORP.



42 mm x 72 mm x 38 mm timken 517008 bearing

Bearing No. 517008

Size	42x72x38 mm
Bore Diameter	42 mm
Outer Diameter	72 mm
Width	38 mm
d	42 mm
D	72 mm
B	38 mm
C	35 mm

517008 Bearing 2D drawings and 3D CAD models